

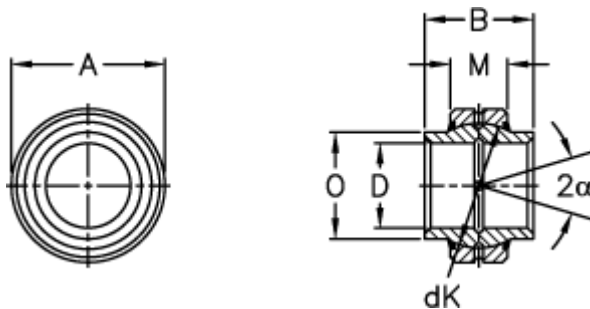
Data Sheet



Article number: 03503080

Description: Fluro Rod end GE 80HO-2RS

Measures



A	= 120 0 -0,015	Tilt angle = 3
B	= 74	Weight = 2500
D	= 80 0 -0,015	
dK	= 105	
Dynamic load C (kN)	= 400	
M	= 45	
O	= 90	
Static load C0 (kN)	= 2000	